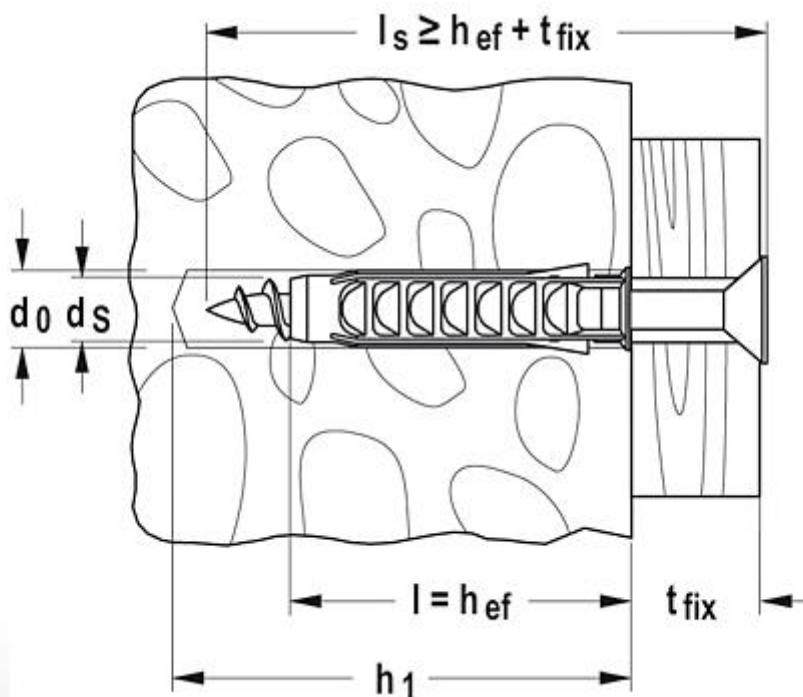


Дюбел с опорен пръстен, к-кт с винт/PZ SX ф 12 x 60 мм, SK NV, блистер



Drill hole diameter	d_0	12	[mm]
Min. drill hole depth	h_1	80	[mm]
Anchor length	l	60	[mm]
Screw	$d_s \times l_s$	8 x 80	[mm]
Effect. anchorage depth	h_{ef}	60	[mm]
Drive		SW 13	
Card contents		3 x SX 12 x 60, 3 x hexagon-head screw 8 x 80	
Sales unit		10	[pcs]
GTIN (EAN Code)		4006209908969	